

## Model Number:

## Addressable Silicone-Neon-NS-S1018

### Product description/产品描述

1. Dimensions: 10\*18mm, 5m/roll  
产品尺寸: 10\*18mm, 5米/卷
2. Power: 14.4W/m  
产品功率: 14.4W/米
3. LED type: SMD5050/SMD2835  
灯珠型号: SMD5050/SMD2835
4. LED quantity: LEDs/m, LEDs/roll  
灯珠数量: 灯/米, 灯/卷
5. LED color: RGB  
灯珠颜色: RGB
6. 像素/米: Pixel Quantity  
SPI-WS2815 120D/M  
SPI-WS2818 120D/M  
DMX-UCS512 120D/M  
.....
7. 板宽 PCB Width: 10mm
8. Life time: 36000hours  
产品寿命: 36000小时
9. IP grade: IP67  
防水等级: IP67

Suntech Technology is committed to provide high quality LED lighting product and superior service for market.

元硕达科技致力于提供高品质的LED产品, 提供高品质的市场服务。

1. The LED are packaged with pure gold wires and large-size chips.  
灯珠采用纯金线和大尺寸芯片封装。

2. Only one Bin LED is used for each order, and keep the same Bin LED in subsequent orders to ensure the consistency of the product.  
每一个订单只使用一个BIN的灯珠, 并且在后期订单也使用相同BIN, 保证产品的一致。

3. The production process adopts high-temperature, lead-free SMT technology, the solder joints are smooth and full.  
生产过程采用高温无铅SMT工艺, 焊点圆滑饱满。

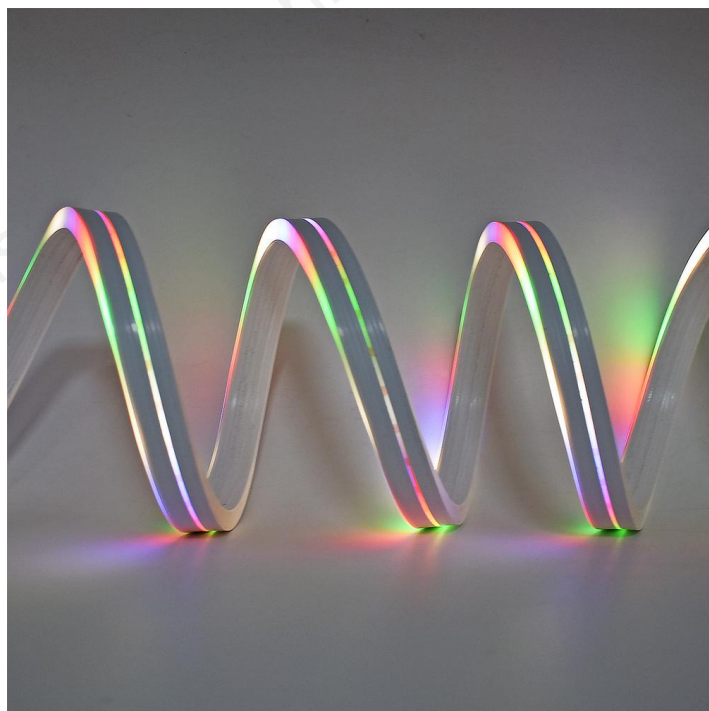
4. Use double-layer PCB to ensure stable electrical performance.  
采用双面线路板, 保证稳定的电气性能。

5. A variety of installation accessories are optional, flexible and convenient to use.

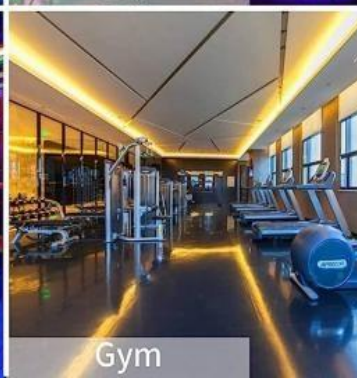
多种安装配件可选, 使用灵活方便。

6. High light transmittance, environment friendly silicone material is used for waterproof product, colorless, odorless and anti-yellowing.  
防水材料用高透环保硅胶材料: 无色, 无味, 抗黄化。

## Product Image/产品图片

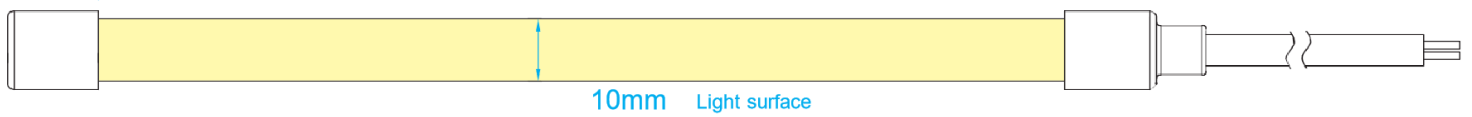


## Application scenarios/应用场景

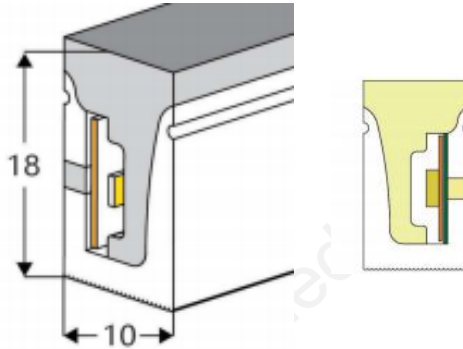
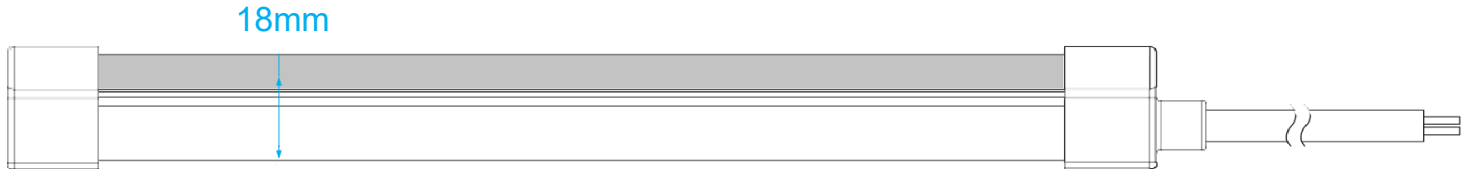


## Dimensions/外型尺寸

Top view



Side view



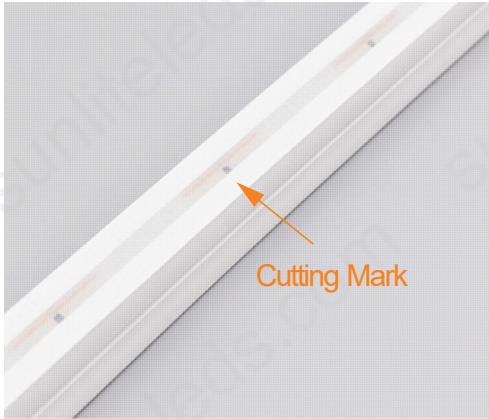
发光方向: 三面侧发光  
Lighting Direction: 3 sides Top Lighting

剪刀口 Cutting mark: Yes

## Technical parameters 技术参数

led strip	Voltage (V)	Power(Max) (W)	Pixel Quantity /m	LED Quantity (m)	Cutting Unit (mm)	LED type	IC type
STB-TTL-4PIN- RGB-120-12V	12	17.3	120	120	8.33	5050 ( IC in LED )	WS2815
ST-1202410- 2835-SPI	24	14.4	10	120	100	2835-White	WS2818
ST-1202410- 2835RGB-SPI	24	14.4	10	120	100	2835RGB	WS2818
ST-DMX-5PIN- RGB-120-24V	24	28.8	20	120	50	2835RGB	UCS512H4L/ HI512ES

## Cutting Mark 切割标记

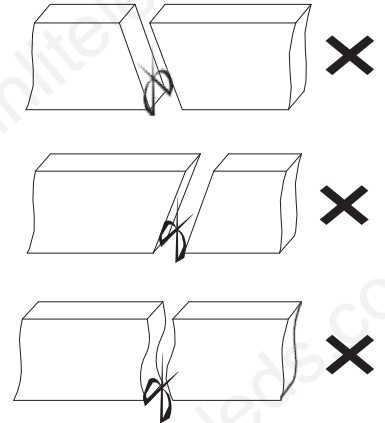


Remark:

The bottom of the led strip has transparent window, the black marker is the cutting position



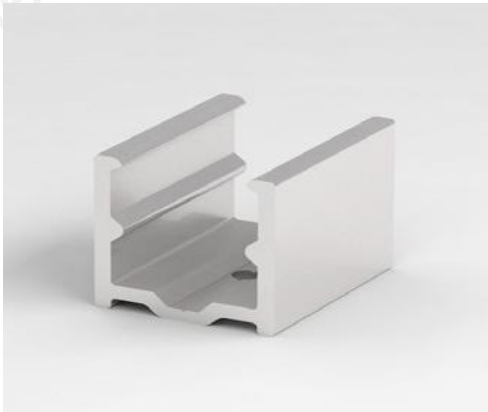
Use professional scissors to cut vertically at the cutting mark



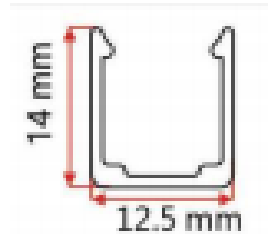
Please don't be feel free to cut and cut into an oblique angle or cambered section.

## Accessories 配件

Aluminium Mounting clips



铝槽尺寸  
Aluminum Profile size(mm)



Curved aluminum profile

Aluminium Profile



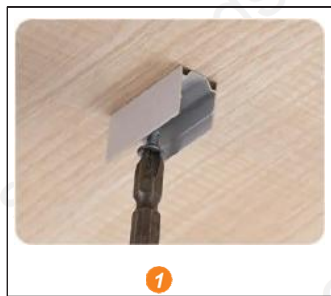
### Notes/备注 :

Please purchase the above accessories according to your demand.

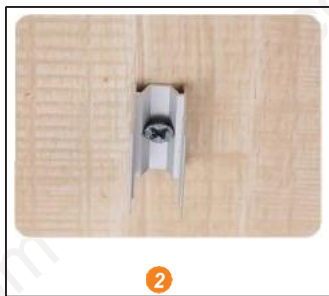
以上所有配件，请根据需求购买。

# Fixed installation display 固定安装展示

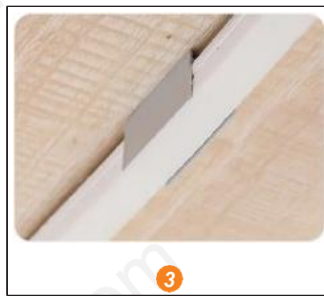
## Snap-on installation



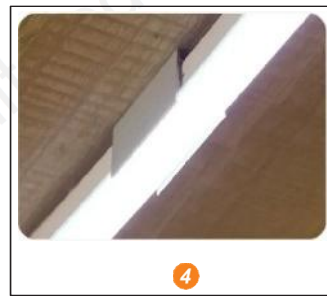
Place the buckle where the neon tube is to be installed



Use screws to secure the buckle

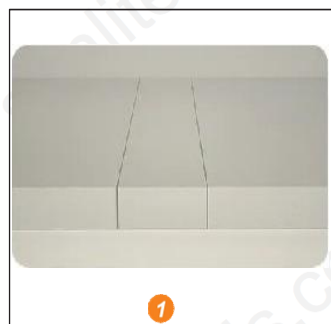


Fix the neon tube on the buckle



Just connect the drive power supply and power on

## Embedded installation



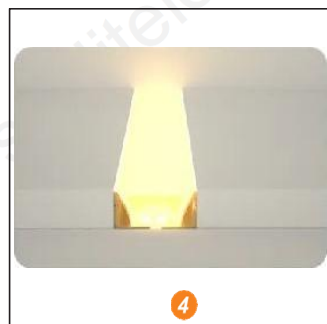
Measure the location of neon tubes to be installed



Grooving the location for installing neon tubes

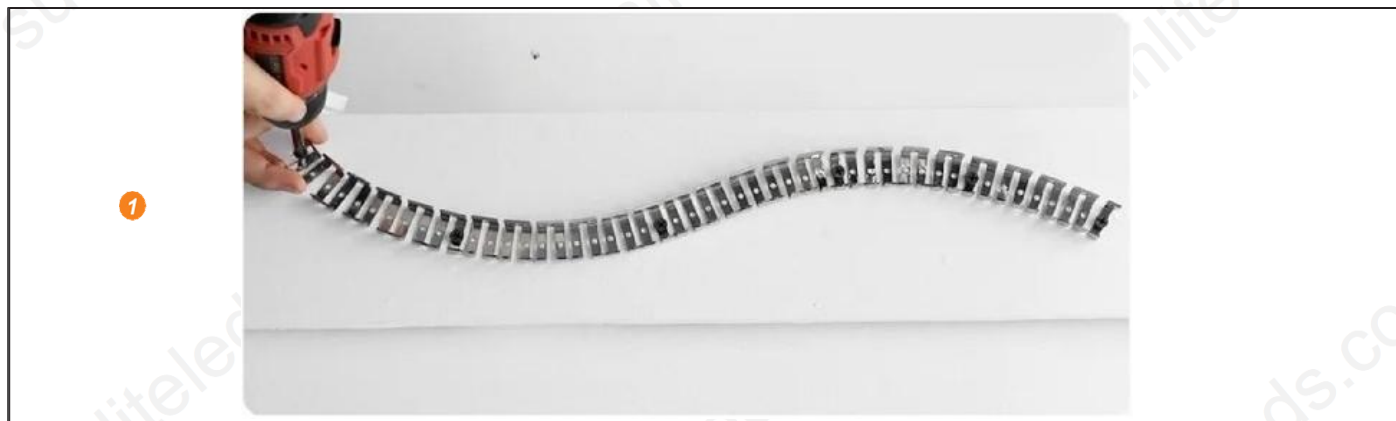


Fix the neon tube with glue or buckles



Just connect the drive power supply and power on

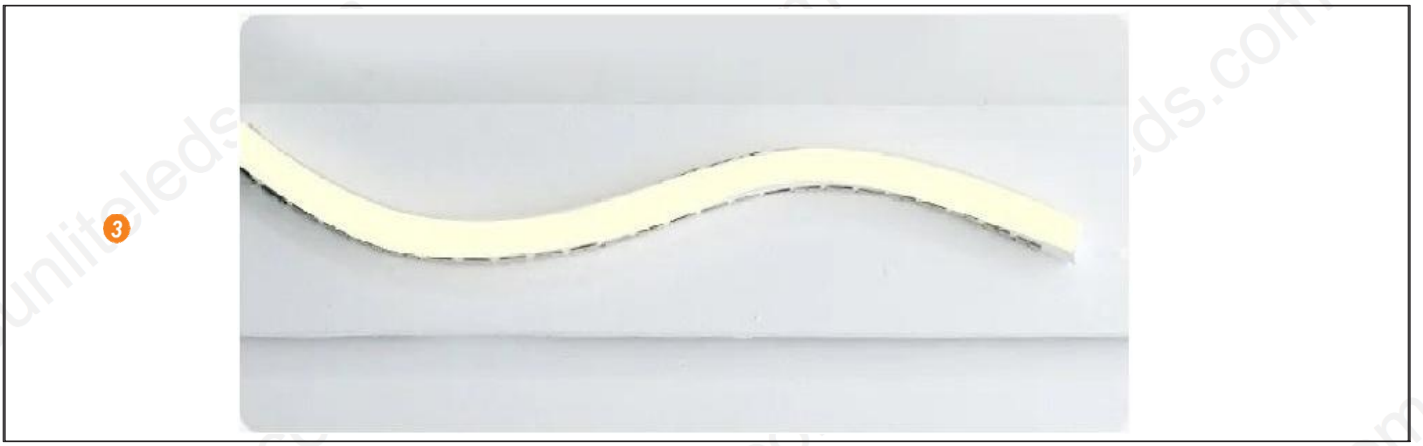
## Flexible keel installation



Use screws to fix the flexible keel according to customized styling requirements



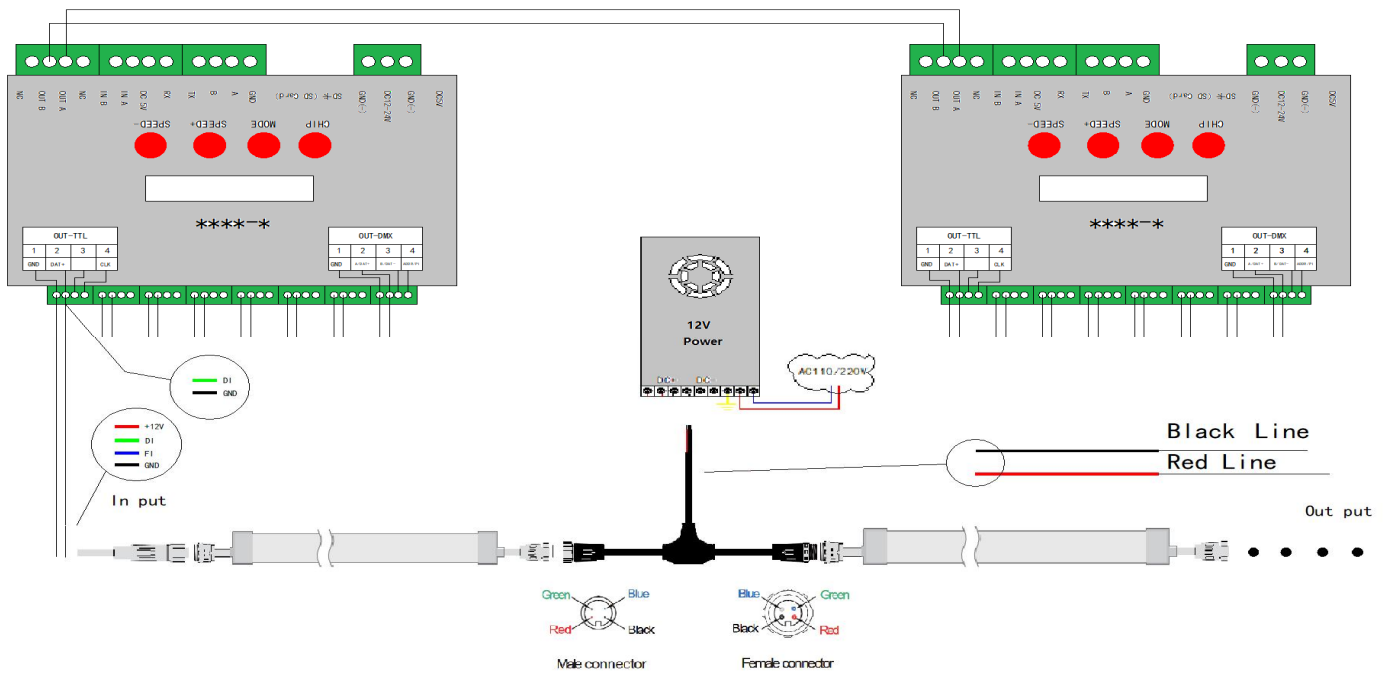
Fix the neon tube into the flexible keel according to the shape



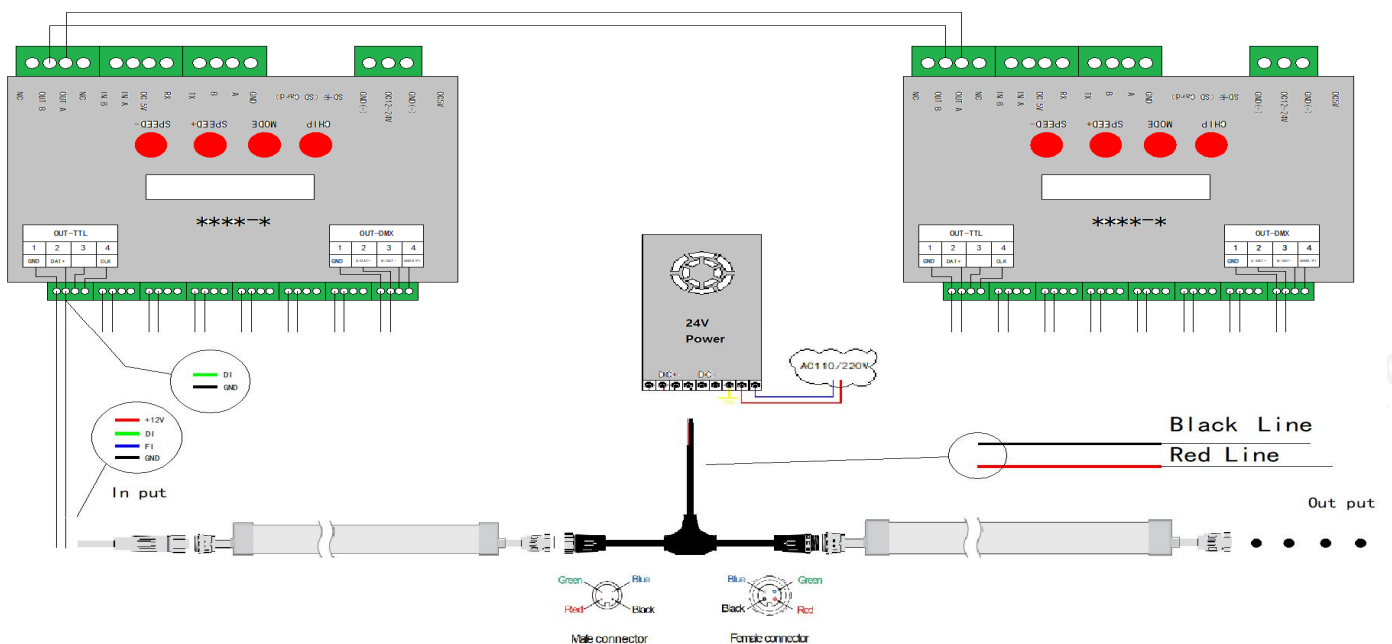
Just connect the drive power supply and power on

## Control Diagram and Installation Diagram 控制器及接线示意图

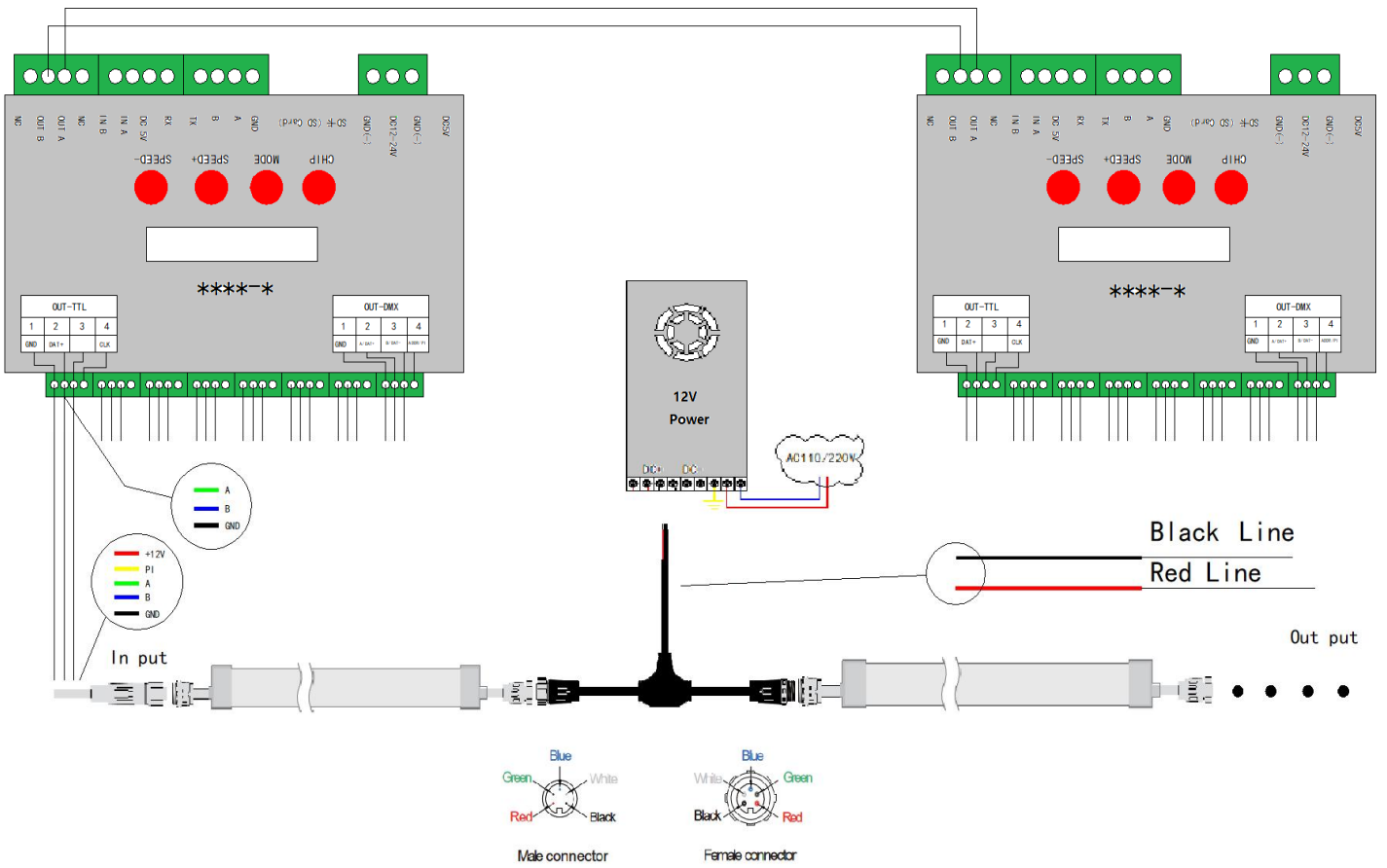
### 12V Wiring Diagram (4 Pin)-SPI



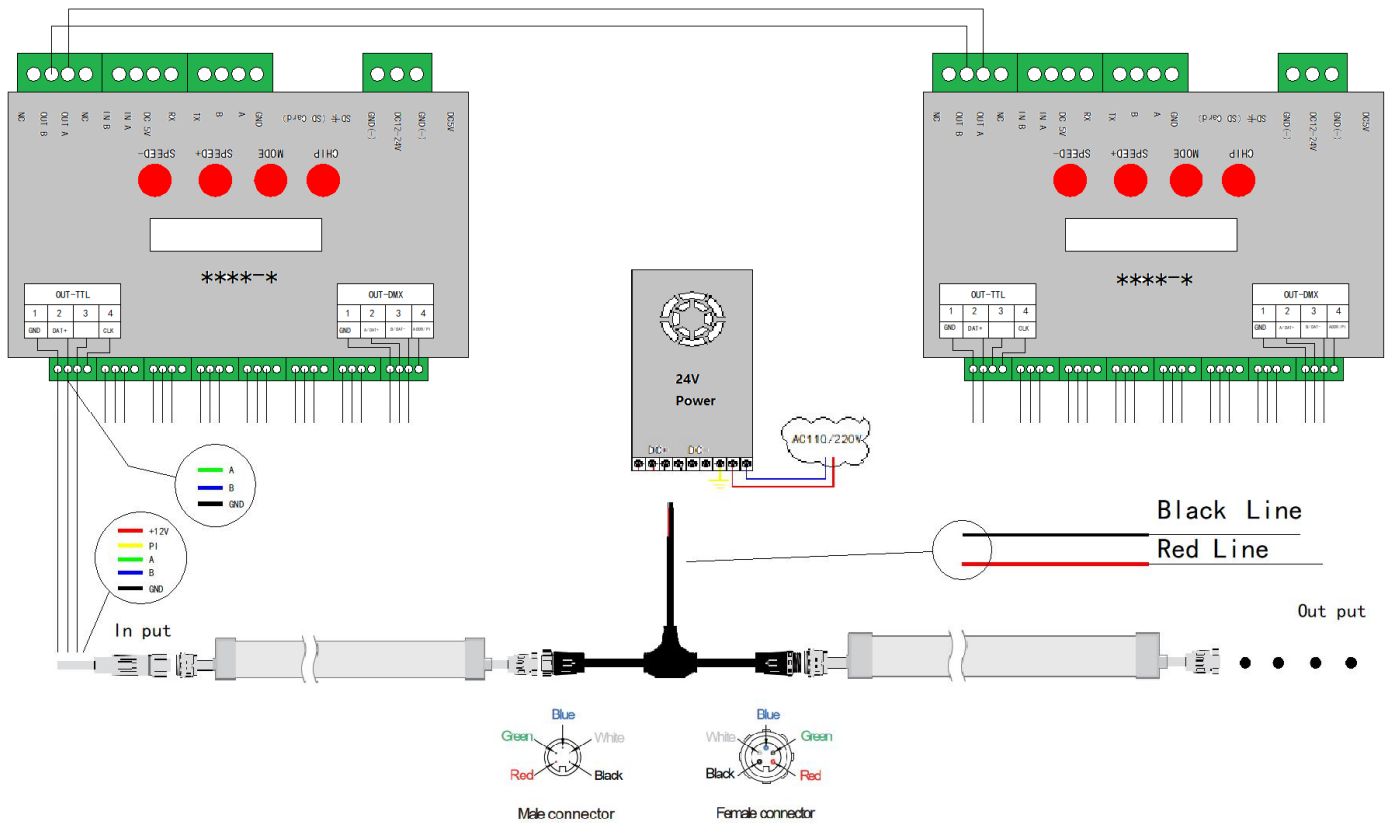
### 24V Wiring Diagram (4 Pin)-SPI



# DC12V wiring diagram-DMX

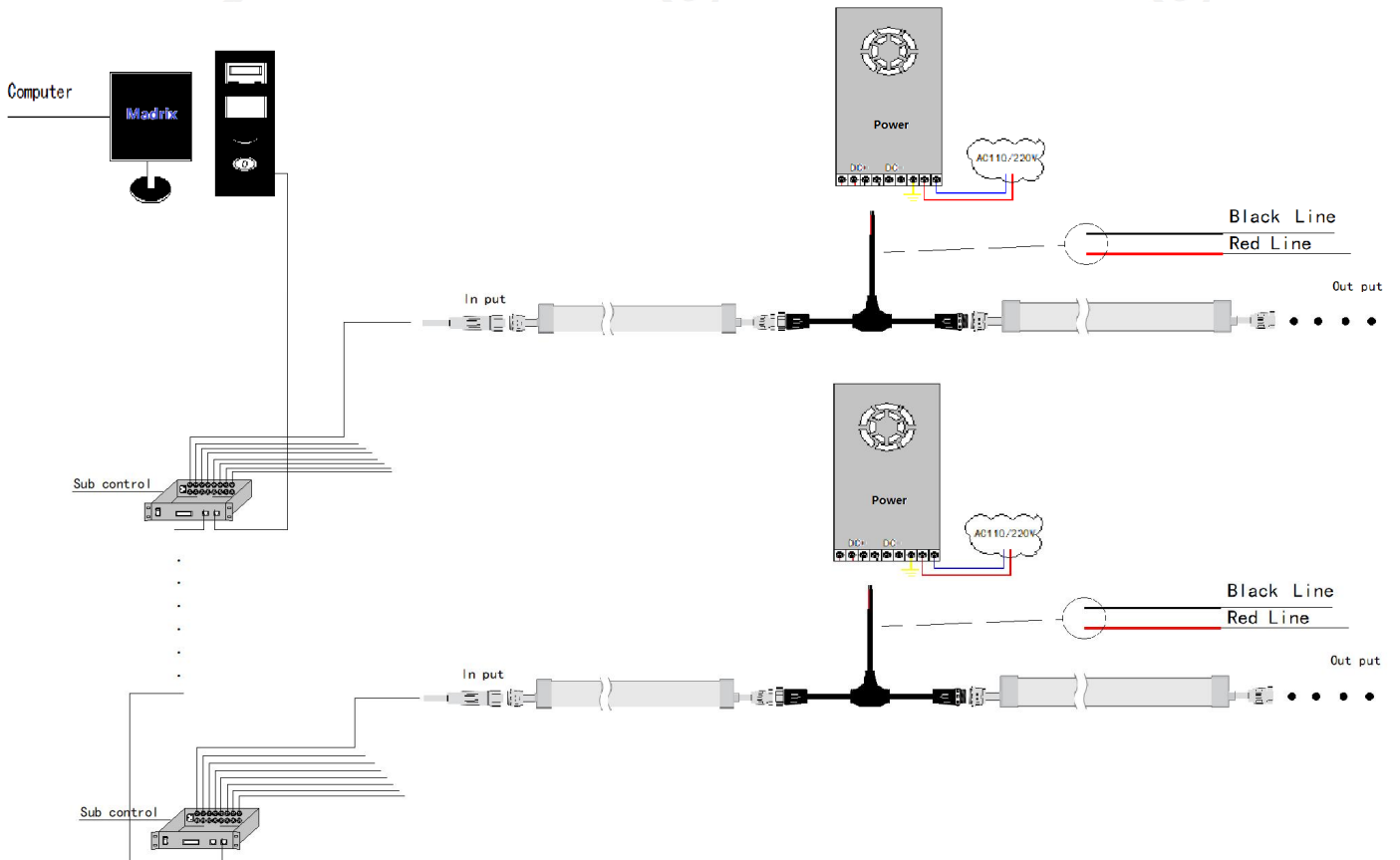


# DC24V wiring diagram-DMX



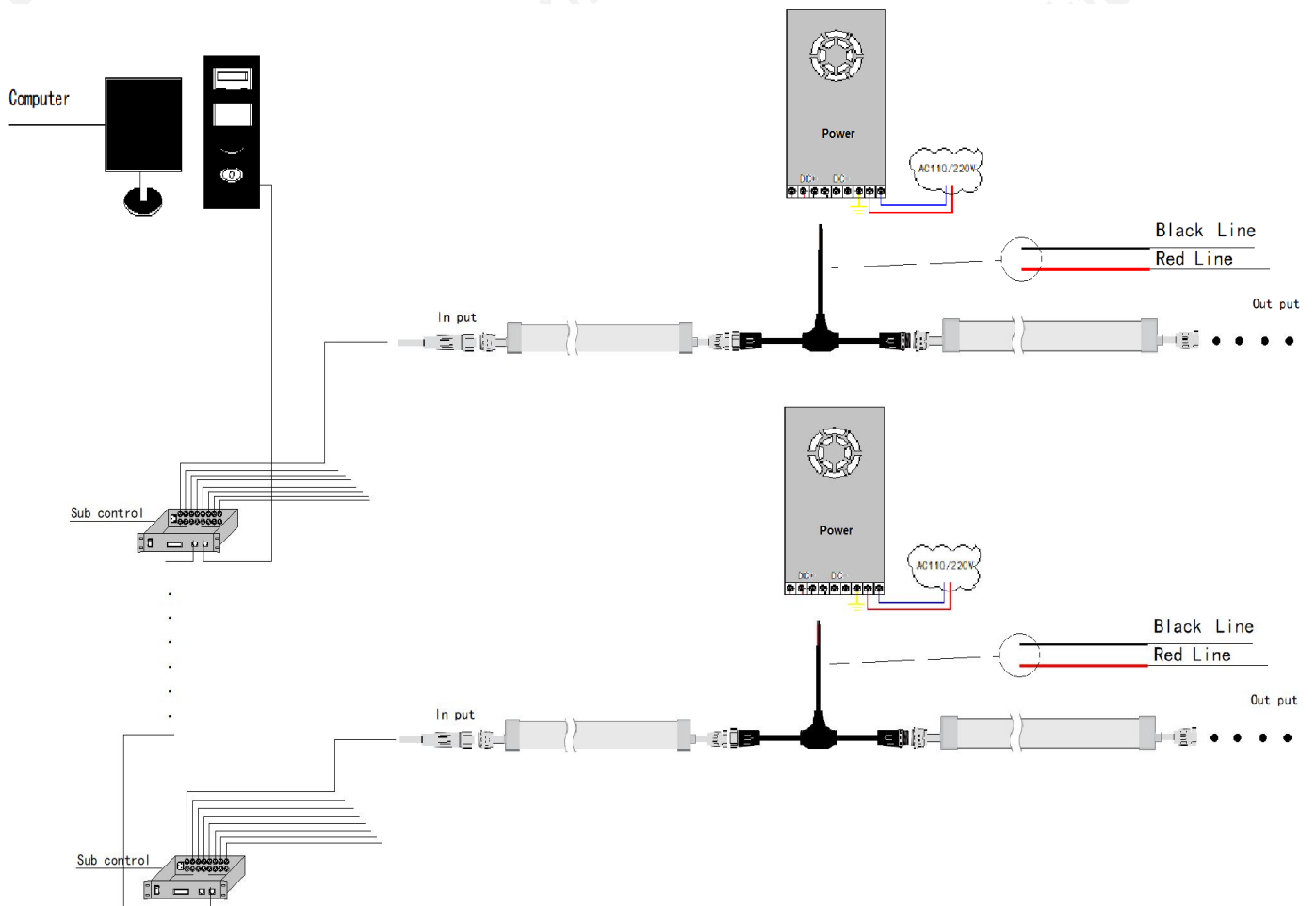
# 1.Madrix control

Recommended controller: T790K, YC3000



# 2.Online control by computer

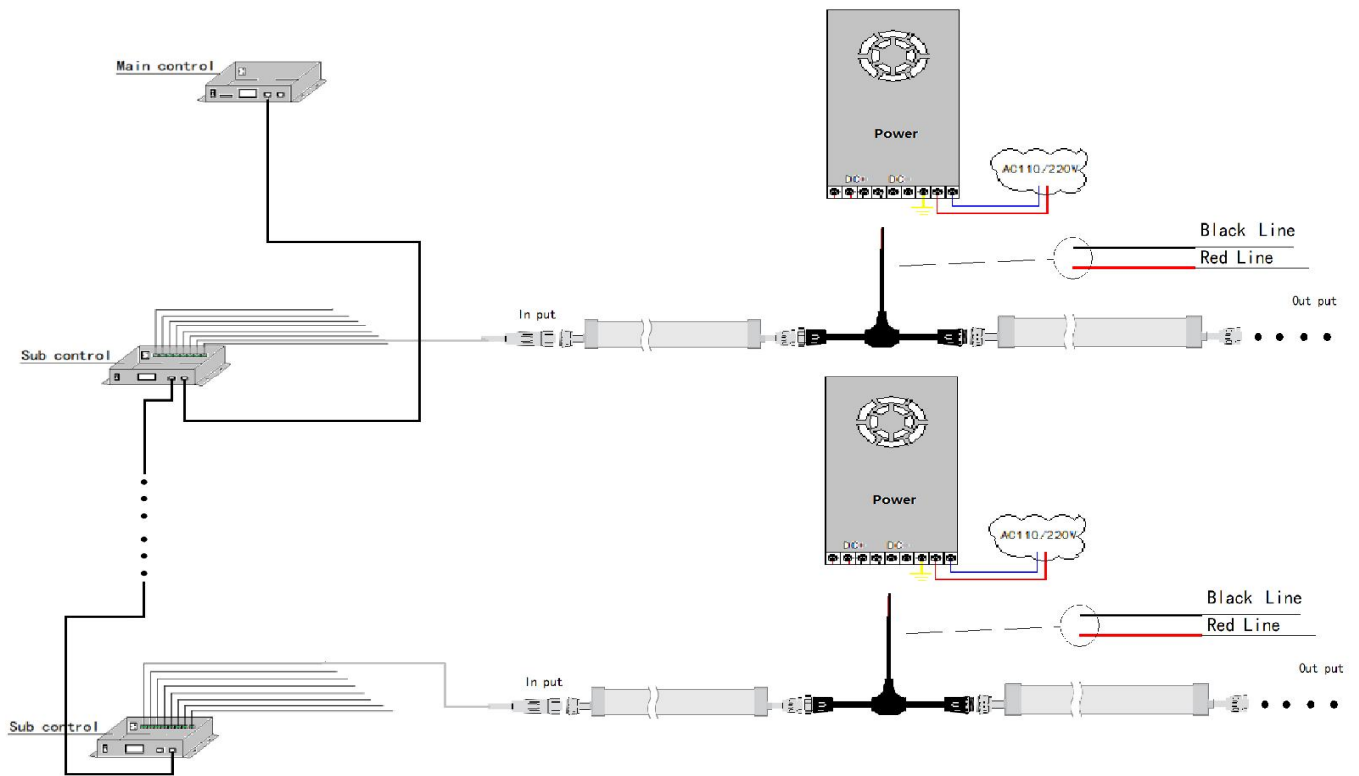
Recommended controller: T-790K





### 3.Main controller + sub controller(Big project)

Recommended controller:Main controller: XB-Z2/ MR- BF12B,  
Sub controller :T-780K/MR-218DW



### 4.Built-in program Auto loop playback(Small project)

Recommended controller:Main controller: XB-Z2/ MR- BF12B,  
Recommended controller: K1000C, K8000C

