



LED NEON FLEX SPECIFICATION

IP67 NEON 1212 12V/24V TOP VIEW



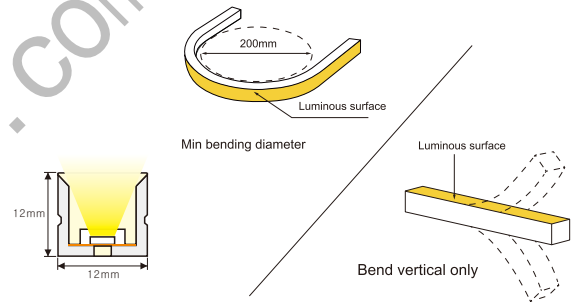
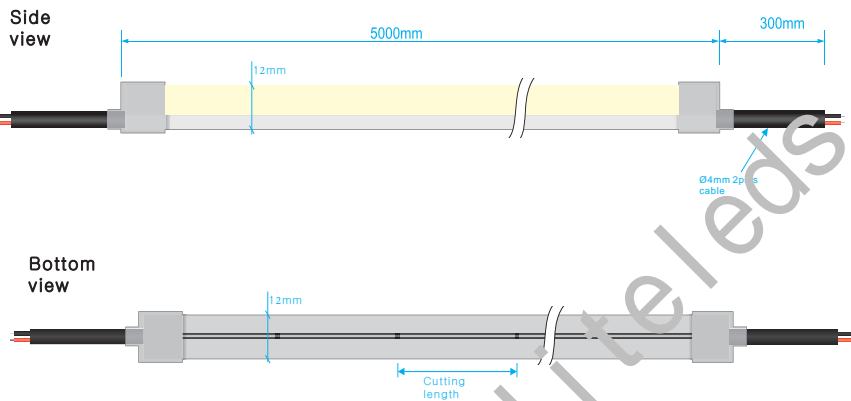
IP67 SILICONE NEON 1212 TOP VIEW

- Regular power 12W/m and 16W/m for option
- Max length 10 meters with one end power
- Eight CCT optional from 2100K to 6000K

2100K
2400K
2700K
3000K
3500K
4000K
5000K
6000K



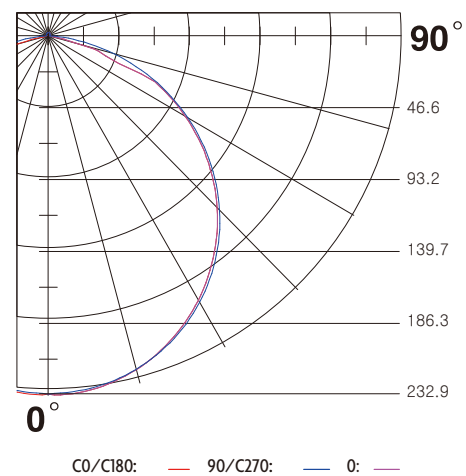
Dimensions & Waterproof



Product specification

| Product: | T1212-12W | T1212-16W |
|---------------------|--------------------------------|--------------------------------|
| Size: | 12*12mm (0.472"*0.472") | 12*12mm (0.472"*0.472") |
| Color: | 1800K-6500K | RGB |
| LED/TYPE | 2835SMD | 2835RGBSMD |
| LEDs Group | 3/6 | 3/6 |
| LEDs/m | 132LEDs/m | 132LEDs/m |
| Voltage | DC12V/24V | DC12V/24V |
| Max.Power | 12W/m | 16W/m |
| Luminous Flux | 540-600lm/m | / |
| Efficacy | 45-50lm/w | / |
| CRI | Ra80/90 | / |
| Min. Cutting length | DC12V/22.72mm/0.89inch | DC24V/45.45mm/1.79inch |
| Installation | -40°F to 134°F (-40°C to 55°C) | -40°F to 134°F (-40°C to 55°C) |
| Operating: | -25°F to 134°F (-25°C to 55°C) | -25°F to 134°F (-25°C to 55°C) |
| IP Rate: | IP67 | -IP67 |

Polar curve (The data base on 12W 6000K)



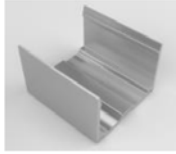
IP67 SILICONE NEON 1212 TOP VIEW

Install Optional Accessories

Install Accessories

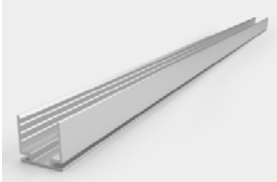
Length

Qty.



30mm[1.18inch]

/



1000mm[39.4inch]

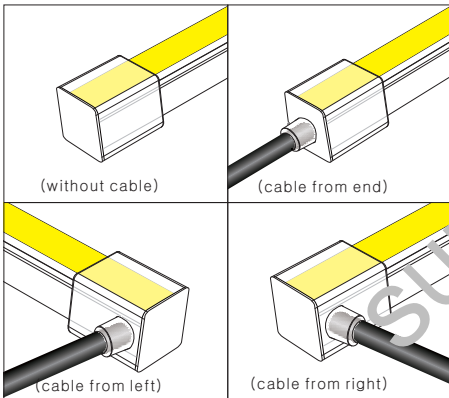
/



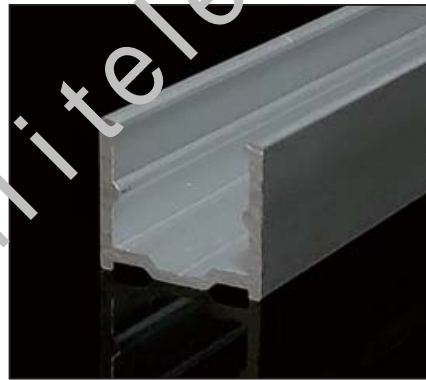
customizable

/

Accessory



Cable outlet



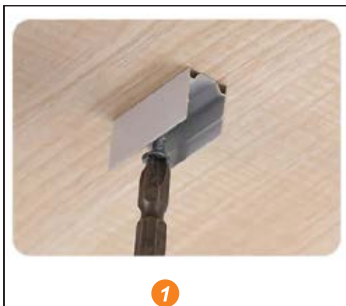
Mounting clip(length: 2cm)
Mounting channel(length: 1m, 2m,3m)



Scissors with angular scale

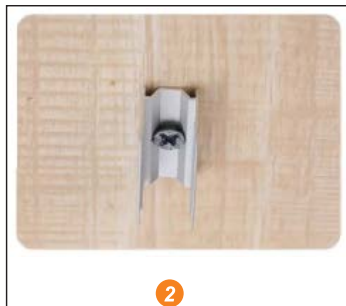
Installation

Snap-on installation



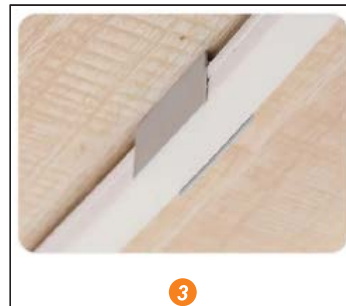
1

Place the buckle where the neon tube is to be installed



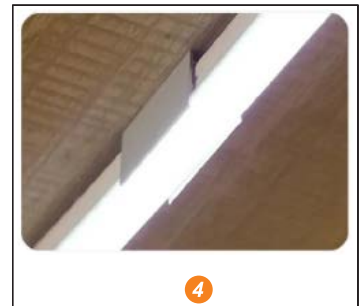
2

Use screws to secure the buckle



3

Fix the neon tube on the buckle



4

Just connect the drive power supply and power on

Embedded installation



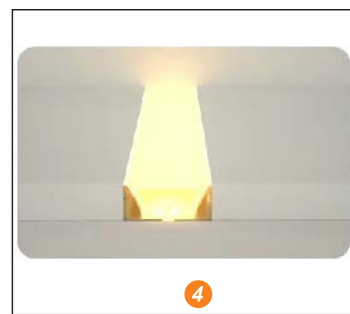
1 Measure the location of neon tubes to be installed



2 Grooving the location for installing neon tubes



3 Fix the neon tube with glue or buckles



4 Just connect the drive power supply and power on

Installation

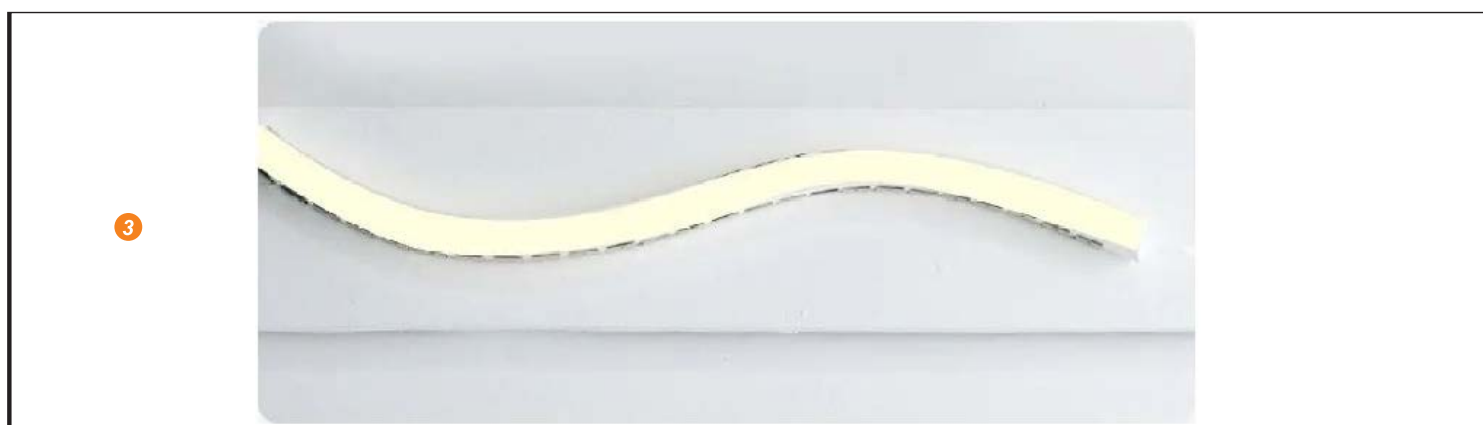
Flexible keel installation



1 Use screws to fix the flexible keel according to customized styling requirements



2 Fix the neon tube into the flexible keel according to the shape



3 Just connect the drive power supply and power on

Wiring installation



Product application scenario diagram

