



# LED NEON FLEX SPECIFICATION

IP67 NEON 1616 12V/24V TOP VIEW



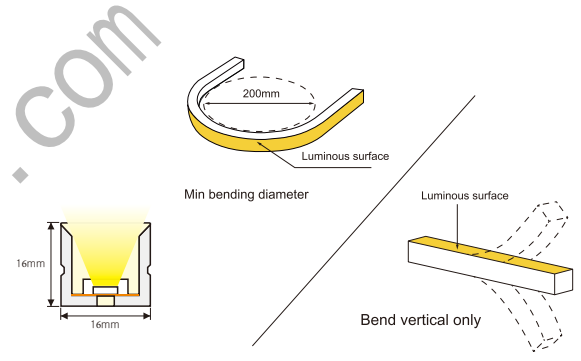
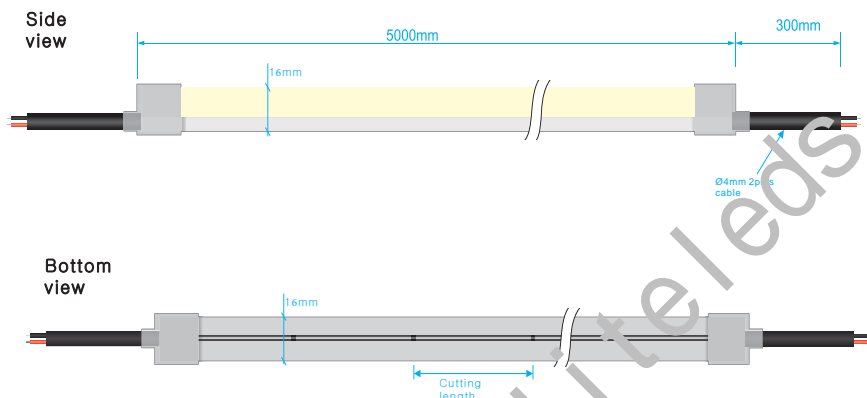
# IP67 SILICONE NEON 1616 TOP VIEW

- Regular power 12W/m and 16W/m for option
- Max length 10 metersh with one end power
- Eight CCT optional from 2100K to 6000K

2100K  
2400K  
2700K  
3000K  
3500K  
4000K  
5000K  
6000K



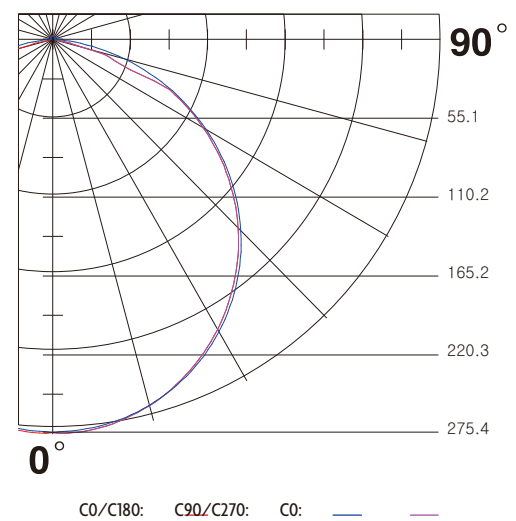
## Dimensions & Waterproof



## Product specification

Product:	T1616-12W	T1616-16W
Size:	16*16mm (0.63"*0.63" )	16*16mm (0.63"*0.63" )
Color:	1800K-6500K	RGB
LED/TYPE	2835SMD	2835RGBSMD
LEDs Group	3/6	3/6
LEDs/m	132LEDs/m	132LEDs/m
Voltage	DC12V/24V	DC12V/24V
Max.Power	12W/m	16W/m
Luminous Flux	540-600lm/m	/
Efficacy	45-50lm/w	/
CRI	Ra80/90	/
Min. Cutting length	DC12V/22.72mm/0.89inch	DC24V/45.45mm/1.79inch
Installation	-40°F to 134°F (-40°C to 55°C)	-40°F to 134°F (-40°C to 55°C)
Operating:	-25°F to 134°F (-25°C to 55°C)	-25°F to 134°F (-25°C to 55°C)
IP Rate:	IP67	-IP67

## Polar curve (The data base on 12W 6000K)



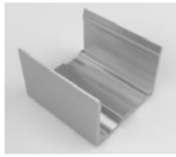
# IP67 SILICONE NEON 1616 TOP VIEW

## Install Optional Accessories

### Install Accessories

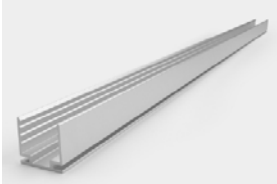
### Length

### Qty.



30mm[1.18inch]

/



1000mm[39.4inch]

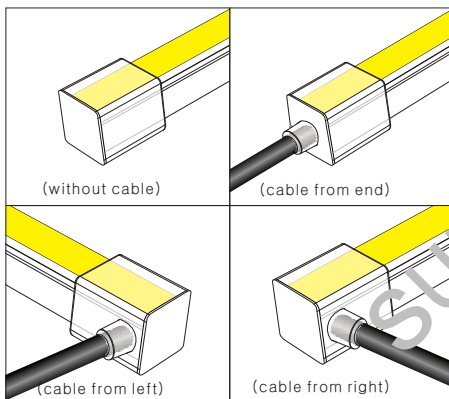
/



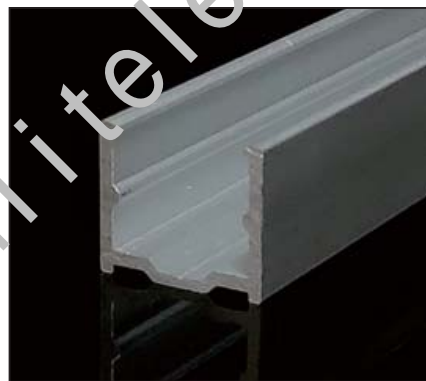
customizable

/

## Accessory



Cable outlet



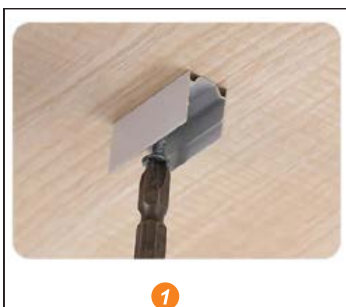
Mounting clip(length: 2cm)  
Mounting channel(length: 1m, 2m,3m)



Scissors with angular scale

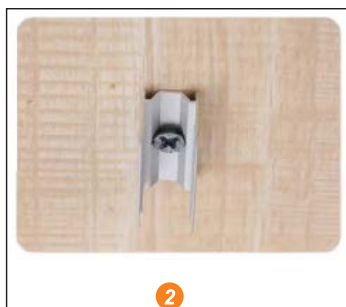
## Installation

### Snap-on installation



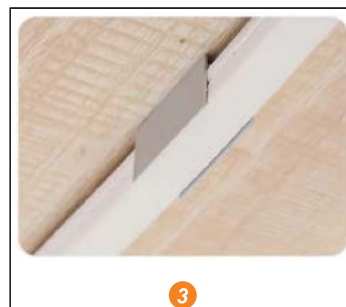
1

Place the buckle where the neon tube is to be installed



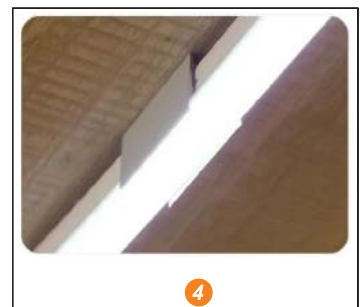
2

Use screws to secure the buckle



3

Fix the neon tube on the buckle



4

Just connect the drive power supply and power on

## Embedded installation



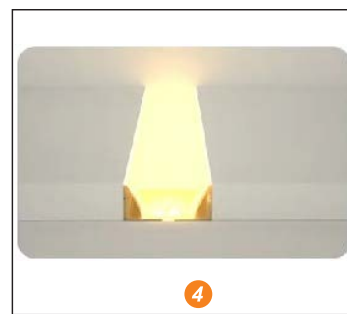
Measure the location of neon tubes to be installed



Grooving the location for installing neon tubes



Fix the neon tube with glue or buckles



Just connect the drive power supply and power on

## Installation

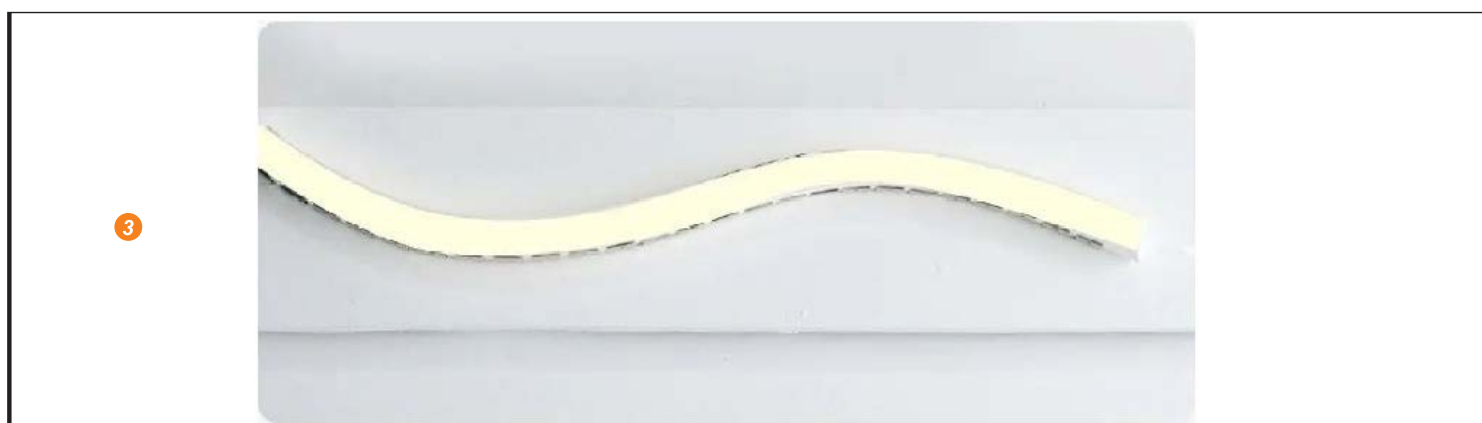
### Flexible keel installation



Use screws to fix the flexible keel according to customized styling requirements



Fix the neon tube into the flexible keel according to the shape



Just connect the drive power supply and power on

## Wiring installation



## Product application scenario diagram

